



# T2020-2D Wheel Balancer

The Technique T2020-2D is a low speed balancer with all of the features and benefits of a 'High end' machine.

The Backlit LCD screen with multifunctional and interactive keys makes it clear and easy for the operator to use.

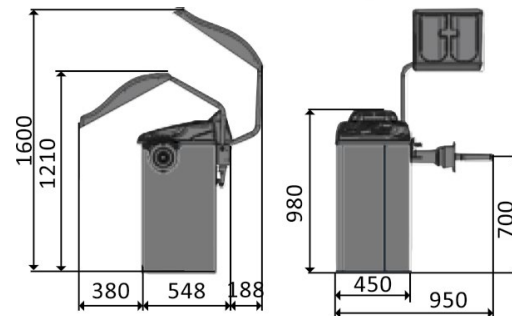
The compact design means that the T2020-2D takes up very little space in the workshop.

The 2D caliper arm automatically stores the distance and diameter measurements and makes it easy to position the weights directly into place.

- **Motorised wheel balancer.**
- **Automatic 2D caliper arm rim diameter/distance.**
- **Brake Pedal-operated main shaft lock.**
- **Low rotation speed.**
- **Automatic ALU S programme.**
- **Backlit LCD display with multifunctional and interactive keys.**
- **Easy start by closing wheel guard or pressing the start key and auto stop.**
- **Brake to keep the wheel in position while fitting the weights.**

Rim Diameter	10" - 26" Automatic / 10" - 30"
Rim Width	1.5" - 22"
Max Wheel Weight	65kg
Read-out Accuracy	1g
Cycle Time	6 seconds
Rotation Speed (RPM)	< 100
Power Supply	110-230v / 50-60/1ph

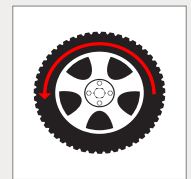
Standard Accessories Kit Included: Standard Cones(x4), hand-wheel quick fit clamps, pliers, wheel width caliper and 4WD cone adaptor.



Auto distance and diameter measurement.



Hidden weight mode.



Rim and tyre optimisation.



Backlit graphical LCD display.